



# DUAL KEY RUBBER (SJ00W) MICRO-LINK™ PLUG ASSEMBLIES

## SPECIFICATIONS

### MATERIALS

Body	Rubber
O-Ring	Nitrile Rubber
Contact	Brass, Gold Plated over Nickel
Coupling Nut	Machined Aluminum, Black Anodized
Cable	18 AWG SJ00W NBR/PVC 41 x #34 Stranding, 90°C, UL Recognized, CSA Certified

Cable Diameters #18 AWG SJ00W, 2/C-.31", 3/C-.33", 4/C-.36", 5/C-.39"

### ELECTRICAL

Voltage Rating	250 VAC/300 VDC
Current	#18 AWG-5A
Contact Resistance	≤5mΩ

### ENVIRONMENTAL

Protection	IP67
Operating Temp	SJ00W: 50°C to 90°C (UL), -34°C to 90°C (CSA)

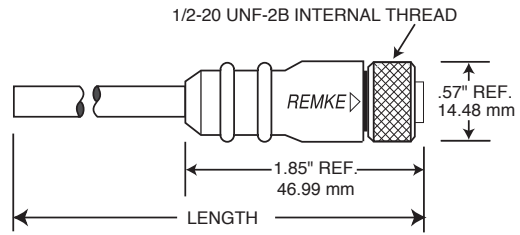
### CERTIFICATIONS

Recognized, File No. E165657

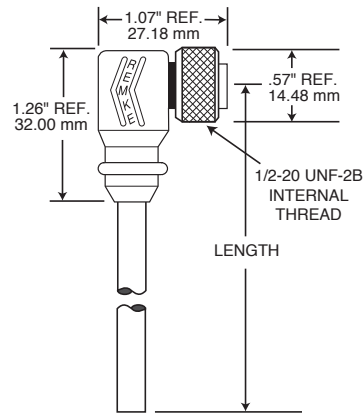
Certified, File No. E165657

### OPTIONS

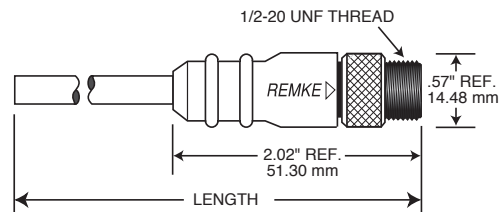
Stainless Steel Couplers	
Plastic Couplers	



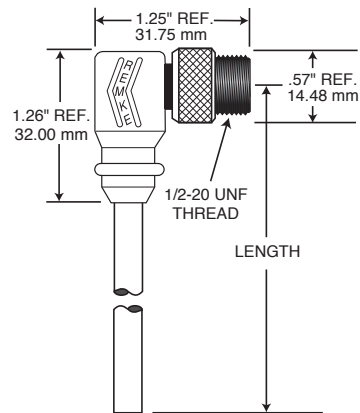
FEMALE STRAIGHT



FEMALE 90°



MALE STRAIGHT



MALE 90°

## FEMALE PLUGS

PLUG ASSEMBLY PART NUMBERS							
Number of Poles	Female Contact Rotation	Wiring Color Code	Length	Wire Gauge (AWG)	Straight Plug	90° Plug	Mating Male Receptacle
2		1-Brown 2-Blue	6 FT/1.8M	#18 (SJ00W)	602A0060C	602C0060C	202P0010N
			12 FT/3.6M	#18 (SJ00W)	602A0120C	602C0120C	202P0010N
			20 FT/6.1M	#18 (SJ00W)	602A0200C	602C0200C	202P0010N
3		1-Green 2-Red/Black 3-Red/White	6 FT/1.8M	#18 (SJ00W)	603A0060C	603C0060C	203P0010N
			12 FT/3.6M	#18 (SJ00W)	603A0120C	603C0120C	203P0010N
			20 FT/6.1M	#18 (SJ00W)	603A0200C	603C0200C	203P0010N
4		1-Red/Black 2-Red/White 3-Red 4-Green	6 FT/1.8M	#18 (SJ00W)	604A0060C	604C0060C	204P0010N
			12 FT/3.6M	#18 (SJ00W)	604A0120C	604C0120C	204P0010N
			20 FT/6.1M	#18 (SJ00W)	604A0200C	604C0200C	204P0010N
5		1-Red/White 2-Red 3-Green 4-Red/Yellow 5-Red/Black	6 FT/1.8M	#18 (SJ00W)	605A0060C	605C0060C	205P0010N
			12 FT/3.6M	#18 (SJ00W)	605A0120C	605C0120C	205P0010N
			20 FT/6.1M	#18 (SJ00W)	605A0200C	605C0200C	205P0010N

## MALE PLUGS

PLUG ASSEMBLY PART NUMBERS							
Number of Poles	Male Contact Rotation	Wiring Color Code	Length	Wire Gauge (AWG)	Straight Plug	90° Plug	Mating Female Receptacle
2		1-Brown 2-Blue	6 FT/1.8M	#18 (SJ00W)	602E0060C	602F0060C	202S0010N
			12 FT/3.6M	#18 (SJ00W)	602E0120C	602F0120C	202S0010N
			20 FT/6.1M	#18 (SJ00W)	602E0200C	602F0200C	202S0010N
3		1-Green 2-Red/Black 3-Red/White	6 FT/1.8M	#18 (SJ00W)	603E0060C	603F0060C	203S0010N
			12 FT/3.6M	#18 (SJ00W)	603E0120C	603F0120C	203S0010N
			20 FT/6.1M	#18 (SJ00W)	603E0200C	603F0200C	203S0010N
4		1-Red/Black 2-Red/White 3-Red 4-Green	6 FT/1.8M	#18 (SJ00W)	604E0060C	604F0060C	204S0010N
			12 FT/3.6M	#18 (SJ00W)	604E0120C	604F0120C	204S0010N
			20 FT/6.1M	#18 (SJ00W)	604E0200C	604F0200C	204S0010N
5		1-Red/White 2-Red 3-Green 4-Red/Yellow 5-Red/Black	6 FT/1.8M	#18 (SJ00W)	605E0060C	605F0060C	205S0010N
			12 FT/3.6M	#18 (SJ00W)	605E0120C	605F0120C	205S0010N
			20 FT/6.1M	#18 (SJ00W)	605E0200C	605F0200C	205S0010N

CORD CONNECTORS

WIRE MESH GRIPS

PICO-LINK

MICRO-LINK

ETHERLINK

MINI-LINK

MULTI-PORT BOXES

BUS SYSTEM PRODUCTS

